

QUEST UT430

UNATTENDED PAYMENTS



The UT430 unattended payment terminal provides a robust, secure, flexible and affordable option for payment acceptance 24/7 in almost any self-service application.

Offering EMV* chip, contactless, NFC and magnetic stripe card acceptance with/without PIN entry in a single device, the UT430 suits a variety of applications including kiosks, transportation, pay-at-pump, vending and parking. Its market leading all-in-one compact design meets local and international payment security standards for both debit and credit card processing.

In conjunction with the Creditcall payment gateway service, the UT430's onboard payment application can provide an unattended card acceptance solution for merchants across a wide range of North American payment processors.

BENEFITS FOR BUSINESS

- ▶ All payment types – chip, contactless (including NFC) and magnetic stripe including cardholder verification with PIN
- ▶ Compliance with PCI-PTS 3.x security requirements
- ▶ All-in-one design reduces cost and complexity of field maintenance
- ▶ Optional support for AVS (Address Verification Service) through Zip Code prompting
- ▶ IP45 rated and built to withstand harsh conditions using weather resistant, UV rated and flame retardant enclosure
- ▶ Optional expansion capabilities for Ethernet and 3G communications, SAMs, receipt printer port and MDB interface
- ▶ Easy integration with client applications and equipment either directly over RS232 or USB for proprietary non-PC based systems, or using Quest's range of middleware integration solutions for Windows and Linux



SPECIFICATIONS

PHYSICAL

Dimensions	104mm (W) x 137mm (H) x 120mm (D)
Depth required inside Kiosk	70mm
Panel Cut-out	86.4mm (W) x 108.7mm (H), EVA Compliant
Recommended Panel Design	1.6mm Mild Steel, M4 x 25 Weld Studs
Product weight	500 g
Bezel material	Engineering grade Plastic (UV stabilised, Flame Retardant)

PINPAD

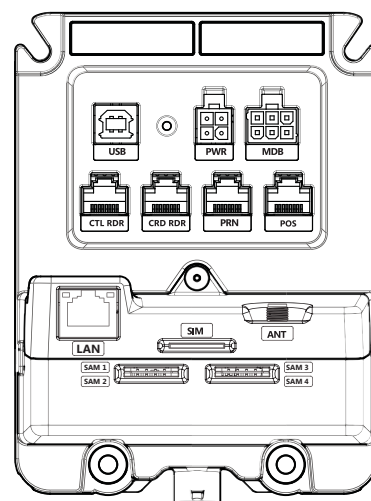
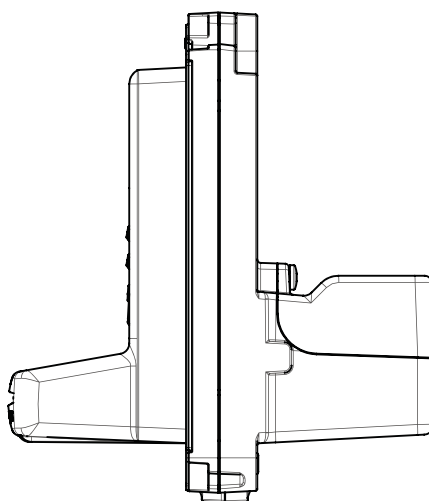
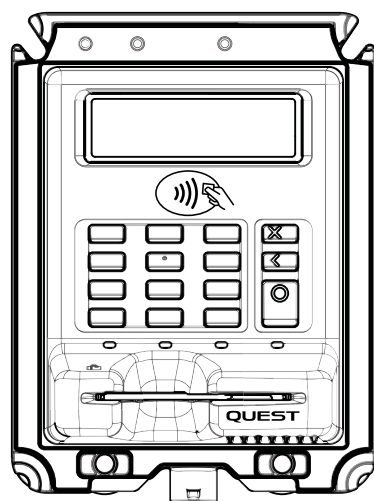
Payment types	Magnetic Stripe Reader (ISO 7811 Tracks 1/2/3, Bi-directional) Smart Card Reader (asynchronous ISO 7816) Contactless Card reader (ISO 14443 type A, B)
CPU	32 Bit RISC, 96MHz
Memory	8MB Flash + 8MB SDRAM
Display	Graphic LCD, 128 x 32 pixels, High contrast, Backlit
Keypad	*Never wear-out* labelling, Backlit, Raised embossing (5, Enter, Clear, Cancel)
Non-visual operating indicators	Buzzer
Wake-up on Card insert	

COMPLIANCE

Payments & Security	PCI PTS 3.x, APCA IAC, Payments NZ, EMV L1 L2 Contact and Contactless, Common Criteria CAS POI PP**
Schemes	MasterCard, VISA, AMEX, EFTPOS
Regulatory	C-Tick, CE, UL**, FCC**
Environmental	RoHS

POWER

Input Voltage Range	5V-34V DC, 14.4W max
---------------------	----------------------



All interface options shown above

STANDARD INTERFACES

Host Slave	RS-232 Serial (RJ 8P8C), USB 2.0 (Type B)
------------	---

OPTIONAL INTERFACES*

Ethernet + 3G Communications Module	Ethernet: RJ Connection 3G: GSM/GPRS/EDGE: Quad band, 850/900/1800/1900MHz UMTS/HSPA+: Five band, 800/850/900/1900/2100MHz 1x SIM Socket, 1x SMA External RF Antenna Connection (A-Tick Compliant)
Ethernet Communications Module	RJ Connection
MDB Slave	6 Pin Molex Mini Fit Jr.
Printer	RS-232 Serial (RJ 8P8C)
External Card Reader (MSR)	RS-232 Serial (RJ 8P8C)
External Contactless Reader	TTL (RJ 8P8C)
SAMs	4 'Standard' size sockets

ENVIRONMENT

Ambient air temperature for storage	-10°C to +70°C
Ambient air temperature for operation	-20°C to +60°C
IP degree of protection	IP45 (as described in IEC 60529)
Recyclability	RoHS Compliant

STANDARDS

Mechanical Interface	EVA Compliant (Kiosk mounting) - European Vending Association
----------------------	---

AUTHORISED DISTRIBUTOR:



CARD
PAYMENTS
EMV COMPLIANT CARD PAYMENT SOLUTIONS

Unattended Card Payments Inc.
6655 South Tenaya Way Suite #180
Las Vegas, Nevada, 89113

Tel: +1 (702) 802-3504
www.ucp-inc.com